

Smart Transducers - Principles, Communications, and Configuration

Wilfried Elmenreich
Institut für Technische Informatik
Technische Universität Wien
Karlsplatz 13, Vienna, Austria
wil@vmars.tuwien.ac.at

Stefan Pitzek
Institut für Technische Informatik
Technische Universität Wien
Karlsplatz 13, Vienna, Austria
pitzek@vmars.tuwien.ac.at

Abstract — Transducers are sensors and actuators in order that a computer system can interact with the physical environment. An intelligent or *smart* transducer is the integration of an analog or digital sensor or actuator element, a processing unit, and a communication interface. In this paper we describe the basic design principles for smart transducers and compare two smart transducer interface standards, the IEEE 1451.2 STI and the OMG STI, with respect to general design decisions and the management of configuration information in particular. The IEEE 1451.2 standard favors the introduction of self-contained nodes, which keep the configuration data physically associated to the nodes. In contrast, the OMG STI standard follows the approach of keeping memory requirements on nodes very low and instead enforces a tight integration of smart transducer systems with software tools and external system descriptions in a general configuration framework.

1 Introduction

Transducers are sensors and actuators in order that a computer system can interact with the physical environment. In 1982, Ko and Fung introduced the term “intelligent transducer” [1]. An intelligent or *smart* transducer is the integration of an analog or digital sensor or actuator element, a processing unit, and a communication interface. In case of a sensor, the smart transducer transforms the raw sensor signal to a standardized digital representation, checks and calibrates the signal, and transmits this digital signal to its users via a standardized communication protocol [2]. In case of an actuator, the smart transducer accepts standardized commands and transforms these into control signals for the actuator. In many cases, the smart transducer is able to locally verify the control action and provide a feedback at the transducer interface. With the advent of modern microcontrollers it became possible to build low-cost smart transducers by using commercial-off-the-shelf microcontrollers that provide a standard communication interface, such as

a UART (Universal Asynchronous Receiver/Transmitter). Thus, the usage of smart transducers can become a cost-decreasing factor for building embedded control systems.

The objective of this paper is to give a brief overview on principles, communications, and configuration aspects for smart transducers. The remainder of the paper is structured as follows. Section 2 discusses the basic principles of smart transducers. Section 3 gives an overview on existing communication interfaces for smart transducers. Section 4 describes various approaches for configuration support of smart transducer networks. The paper is concluded in section 5

2 Smart Transducer Principles

This section gives an introduction to the basic principles that are used for the design of smart transducer systems. Note that a particular smart transducer system will not necessarily implement the whole set of the presented ideas.

2.1 Two-Level Design Approach

The smart transducer technology introduces a two-level design approach [3] that helps to reduce the overall complexity of a system by separating transducer-specific implementation issues from interaction issues between different smart transducers.

The transducer manufacturer will deal with instrumenting the local transducer and signal conditioning in order to export the transducer’s service in a standardized way. Transducer manufacturers are thus liberated from interoperability issues between sensors, naming inconsistencies and the network topology of the total system.

The user of a smart transducer’s service can access its data via an abstract interface that hides the internal complexity of the transducer hardware and software. Thus, smart transducer applications can be built in a less complex way.

2.2 Interface Design

The most critical factor for a smart transducer design is the construction of the interfaces to smart transducers. We distinguish the *smart transducer interface* and the *transducer communication interface*.

The smart transducer interface is an abstract interface that gives access to the transducer features, such as measurement value or set value, respectively, but also vendor ID numbers, diagnostic information and setup parameters. Usually, a smart transducer interface provides different types of service, such as configuration, remote diagnosis, and real-time measurement. In order to keep a clean separation of functionalities and achieve a better understandability of a smart transducer interface, Kopetz proposes the introduction of distinct interfaces for functional different services [4]. In detail the following three interface types can be distinguished:

Real-Time Service (RS) interface: This interface provides the timely real-time services to the smart transducer during the operation of the system.

Diagnostic and Management (DM) interface: This interface opens a communication channel to the internals of a smart transducer. It is used to set parameters and to retrieve information about the internals of a component, e. g., for the purpose of fault diagnosis. The DM interface is available during system operation without disturbing the real-time service. Normally, the DM interface is not time-critical.

Configuration and Planning (CP) interface: This interface is necessary to access configuration properties of a node. During the integration phase this interface is used to generate the “glue” between the autonomous smart transducers. The CP interface is not time-critical.

The transducer communication interface defines the communication among the transducers in the network. The idea to connect multiple transducers to a single communication bus has its roots in the industrial fieldbus networks that date back to the early 1970s [5]. An early example for a transducer communication interface is the 4-20 mA current loop, an analog signal standard for the point-to-point connection of analogue devices. The transducer communication interface handles aspects such as the communication baud rate, data encoding, flow control, and message scheduling.

The difference between these two interfaces becomes clear, when they are aligned to the 7-layer of the International Standard Organizations Open System Interconnect (ISO/OSI) model [6]. While the issues on the smart transducer interface relate to the application layer (layer 7) of the OSI reference model, the network communication relates to

the layers below 7, especially the physical layer (layer 1) and the data link layer (layer 2). The intermediate layers 3-6 are usually not defined for fieldbus systems.

All interfaces have to be well-defined in the value and in the time domain in order to enable desirable properties such as interoperability, i. e., *the ability of two or more devices, independent of the manufacturer, to work together in one or more distributed applications* [7], and *composability*, i. e., if each subsystem implements well-defined interfaces in the temporal and value domain, it can be guaranteed *a priori* that the subsystem provides its specified service also in the composite system.

2.3 Configuration Support

Dealing with the large number of transducers in many systems requires a generic approach for configuration and maintenance. A smart transducer system should thus provide an automatic or at least semi-automatic configuration. This requirement for a plug-and-play-like configuration can be justified by three arguments: First, an automated configuration saves time and therefore leads to better maintainability and lower costs. Second, the required qualification of the person who sets up the system is lower when the overall system is easier to configure. Third, the number of configuration faults will decrease, since monotone and error-prone tasks like looking up configuration parameters in heavy manuals can be replaced with respective operations done by a computer. A fully automatic configuration will in most cases only be possible if the functionality of the system is reduced to a manageable subset. For more complex applications consulting a human mind is unavoidable. Thus, we distinguish two cases, the automatic set-up of simple subsystems and the computer-supported configuration of large distributed systems.

3 Communication in Smart Transducer Networks

The design of the network interface for smart transducers is of great importance. Transducers come in a great variety with different capabilities from different vendors. Thus, a smart transducer interface must be very generic to support all present and future types of transducers. However, it must also provide standard functionalities to transmit data in a temporally deterministic manner, support a standard data format, encompass means for fault tolerance, and provide means for smooth integration into a transducer network and its application.

A smart transducer interface should conform to a worldwide standard. Such a standard for a real-time communication network has been sought for a long time, but efforts to

find a single agreed standard have been hampered by vendors, which were reluctant to support such a single common standard in fear of losing some of their competitive advantages [8]. Hence, several different fieldbus solutions have been developed and promoted. Some of these existing solutions have been combined and standardized. In 1994, the two large fieldbus groups ISP (Interoperable Systems Project supported by Fisher-Rosemount, Siemens, Yokogawa, and others) and the WorldFIP (Flux Information Processus or Factory Instrumentation Protocol, supported by Honeywell, Bailey, and others) joined to form the Fieldbus Foundation (FF). It is the stated objective of the FF to develop a single interoperable fieldbus standard in cooperation with the International Electrotechnical Commission (IEC) and the Instrumentation Society of America (ISA).

The IEC worked out the IEC 61158 standard. It is based on the following existing fieldbus systems [9]:

Foundation Fieldbus: A functional superset of WorldFIP. The IEC 61158 standard defines also a *Foundation Fieldbus High Speed Ethernet* type.

ControlNet: ControlNet has been primarily designed to meet the requirements of high speed real-time applications for automation and control. ControlNet features the Control and Information Protocol that provides real-time and peer-to-peer messaging.

Ethernet/IP: EtherNet/IP is an open network based on the IEEE 802.3 Physical and Data Link standard, the Ethernet TCP/IP protocol suite and the Control and Information Protocol.

Profibus: Profibus is a distributed control system for process automation. Profibus is one of the most popular fieldbus protocols in this area. In 2001 it claimed 53.6% of the revenue created in the fieldbus sector in Europe [10].

SwiftNet: SwiftNet is a high performance fieldbus that was created as a synchronous, high speed flight data bus for Boeing Commercial Airplane. SwiftNet provides high data efficiency and clock synchronization among the communicating nodes.

WorldFIP: WorldFIP is designed with a strictly real-time capable control scheme based on a producer-consumer communication model. WorldFIP was published as a French standard in the late 80s. No significant change has taken place since the first French standard.

Interbus: Interbus is a digital, serial communication system for communication between control systems and transducer devices. Interbus is optimized, but not limited to factory automation applications.

P-NET: The P-NET Fieldbus has been used for many years, and has more than 5000 applications in the process industry environment and in discrete parts manufacturing plants. P-NET supports also configuration of transducers by downloading of programs.

The IEC 61158 has the great disadvantage that it still keeps a diversity of eight different solutions. The ISA, which developed the SP50 standard, and IEC committees jointly met to make the development of an international standard possible. ISA SP50 was the same committee that introduced the 4-20 mA standard back in the 1970s. Meanwhile, other standards for smart transducers were developed. The IEEE 1451.2 standard [11] deals with the specification of interfaces for smart transducers. An idea proposed by this standard is the specification of electronic data sheets to describe the hardware interface and communication protocols of the smart transducer interface model in a machine-readable format [12].

In December 2000 the Object Management Group (OMG) issued a request for proposal (RFP) [13] of a *smart transducer interface* (STI) in order to form a world-wide standard that satisfies the following needs: (i) real-time characteristics and functionalities for the smart transducer network (ii) online diagnostic service capability (iii) support for start-up and dynamic configuration (iv) a uniform naming and addressing scheme for all relevant data in the smart transducer system (v) a generic interface that enables the smart transducer system to interact with other systems via a CORBA (Common Object Request Broker Architecture) gateway, and (vi) the support of communication interfaces available on current low-cost microcontrollers, e.g., UART ports. In response to this RFP, the time-triggered communication protocol TTP/A extended by a well-defined interface to a CORBA environment has been submitted jointly by three companies with support of the Vienna University of Technology. The interface to the smart transducers uses the concept of an interface file system (IFS) that maps all relevant transducer data to a common address scheme. This IFS allows different application-specific views of a system, namely a real-time service view, a diagnostic and management view, and a configuration and planning view. The interface concept encompasses a communication model that allows accessing the IFS data via a uniform addressing scheme from the CORBA gateway object and provides real-time time-triggered communication among the smart transducers. This proposed STI standard has been adopted by the OMG in 2002 [14].

4 Computer-Aided Configuration

To ease the management of fieldbus systems, all major protocols provide mechanisms, formalisms, and tools that sup-

port this process.

The Foundation Fieldbus [15] provides predefined function blocks for creating applications and a uniform access model for nodes with virtual field devices. Field devices are modelled by a formal description using the device description language (DDL).

Another fieldbus with an extensive support framework is LONworks [16], which provides a uniform application model with predefined data types for communicated data. LONworks uses standardized functional profiles for the functional description of field devices. The system is mainly used for home automation and process control applications with a strong focus on multi-vendor interoperability (within LON networks).

The configuration and management framework of the LIN bus [17] has been specifically tailored for its intended applications in low-cost car body instrumentation. It enforces a tight integration with software tools by defining the interfaces between the bus and support software and incurs only a very low overhead on the nodes.

Most of these approaches were developed independently of each other and specifically tailored for the respective fieldbus system and its technical attributes. Most notable exceptions are *CAN Kingdom* [18], *OSEK* [19], and IEEE 1451 in their target of being in principle independent of the underlying physical fieldbus.

4.1 IEEE 1451 Smart Transducer

IEEE 1451 is a family of standards (and proposed standards) for connecting smart transducers to networks. The first standard to be published was IEEE 1451.2, which was approved in September 1997 [20]. IEEE 1451.2 specifies an electronic data sheet and a digital interface to access that data sheet, read sensors, and set actuators. IEEE 1451 is not another fieldbus network and covers mainly smart transducer interface issues. In its current form, IEEE 1451 is divided into four sub-standards as described in the following. IEEE 1451.1 defines a *network independent common object model* for networked smart transducers [21]. IEEE 1451.2 defines a digital interface and communication protocol for the connection of transducers and a microcontroller. Furthermore, IEEE 1451.2 defines transducer electronic data sheet (TEDS) that describe the smart transducer properties in a machine-readable format. The other two parts of the standard, IEEE P1451.3 and IEEE P1451.4 are not yet ratified. IEEE P1451.3 specifies properties for distributed multi-drop systems in hazardous environments, while IEEE P1451.4 covers a mixed-mode service of analog and digital transducers, whereas analog transducers shall be enhanced with self-identification and configuration capabilities [22].

Figure 1 depicts a sample IEEE 1451 network with three

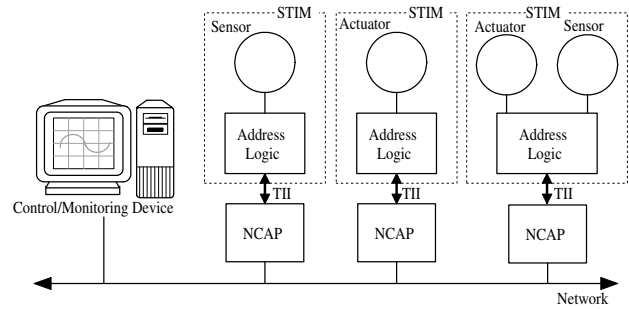


Fig. 1: Example IEEE 1451 network

STIMs (Smart Transducer Interface Modules). The first STIM contains a sensor, the second one an actuator and the third one contains both, e.g., for a distributed control application (actuating based on local measurements). The STIMs are interfaced by a 10-wire connection that is standardized in IEEE 1451.2 as Transducer Independent Interface (TII). IEEE 1451.1 specifies an information model for Network Capable Application Processors (NCAPs). The NCAP may contain application software that can access the transducer(s) through a set of standardized functions. The architecture lines out clearly the two-level design approach as described in Section 2.

4.2 OMG Smart Transducers Interface Standard Descriptions

Figure 2 depicts a sample network with two TTP/A smart transducers and a gateway node. The local application of a smart transducer maps the functionality of the transducer into an interface file system (IFS), i.e., a set of small memory elements that are typically located at the local memory of the smart transducer's microcontroller. The IFS is hierarchically structured into files and records enabling a unique addressing scheme. The main advantage of this approach is that such files and records are easily translated into various bus protocols, thus enabling an easy implementation of gateway nodes supporting interoperability between various systems. However, it may be difficult to map all capabilities of a smart device in terms of reads and writes of memory locations [23]. Therefore, the IFS provides a further operation named *execute* that is used to trigger a function assigned to a record, like "update sensor measurement", etc. The IFS concept is very resource-efficient. A typical smart transducer will fit into an 8 bit RISC microcontroller with 128 bytes RAM and 4 Kbytes of flash ROM [2].

Pitzek and Elmenreich [24] describe a configuration and management framework for the low-cost real-time fieldbus network TTP/A (according to the OMG Smart Transducers Interface Specification [14]). The approach consists of

formal descriptions for node and network properties which are expressed with *XML schema* [25]. Node properties (e. g., microcontroller information, node services, communication capabilities) are represented by *smart transducer descriptions* (STDs). STDs can be separated into two types:

Static STDs describe the node properties of a particular field device family. Static STDs only contain node properties that are fixed at node creation time and act as a documentation of the nodes' features. In addition they are also used as a template for the definition of dynamic STDs.

Dynamic STDs describe individual nodes, as they are used in a particular fieldbus application. Besides from the information of the corresponding static STD, these descriptions include dynamic properties, such as configuration values or the logical (local) name of a node. [26]

The configuration information of a smart transducer network is stored in so-called cluster configuration descriptions (CCD), consisting of the communication schedule of the cluster, descriptions of the participating nodes and other important properties for the configuration of the network, such as baud rate, and physical bus interface.

Figure 3 depicts the configuration and management framework. The architecture consists of a smart transducer network and a CORBA network interconnecting a fieldbus gateway, an STD server and a configuration and planning (CP) tool. A user can initiate a scan of the fieldbus network in order to extract information about the current configuration. Via a *series number* which is embedded in each node's IFS, the tool can provide a look-up for the node's static STD at the STD server. Using the data from the STD, the tool displays the configuration in a graphical user interface, enabling the user to browse and change data. Thus, newly connected nodes can be assigned a task remotely with tool support. The architecture aims at a tight integration of the

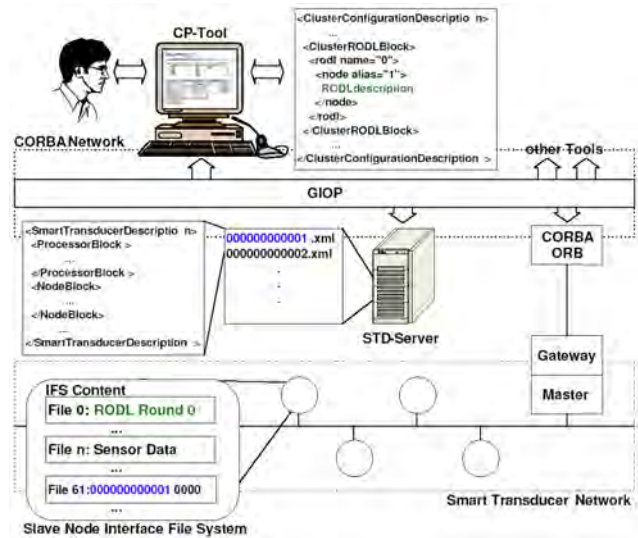


Fig. 3: Configuration and management with remote tools for TTP/A networks

tool framework with the embedded network, i. e., the tools depend on the infrastructure with the smart transducer description CORBA server and store information about nodes and clusters outside the fieldbus cluster.

4.3 Discussion

In this section we will outline the main difference between the electronic transducer descriptions of both approaches.

For example, imagine a dealer's garage performing maintenance on the TTP/A system of a car. Their tools would not work without access to the dynamic descriptions and access to the CORBA smart transducer description server. A similar tight integration of network and tools is also realized in LIN networks, which are used in the automotive domain. In contrast, the IEEE 1451 standard aims at self-contained nodes that store all their static and dynamic information in persistent memory locally at the smart transducer. These oppositional philosophies lead to different design decisions. Storing all the configuration information on the embedded nodes can cause significant overhead at the smart transducer. In order to keep that overhead as small as possible, the representation of the configuration information for such a system must be very compact. IEEE 1451 achieves this goal by providing a large set of predefined transducer types and modes. An instance of a transducer description can build on the predefined types and thus the memory requirements for the transducer description are kept low. While the memory requirements for a minimal implementation of the IEEE 1451.2 standard can be quite low (in the order of few hundred bytes [11]) using extended data sheets is out of the question for such basic devices.

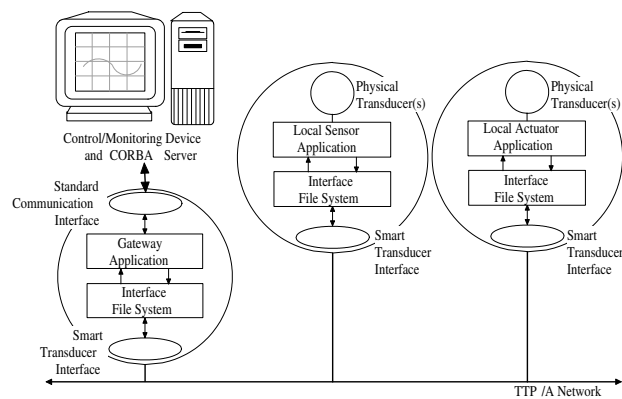


Fig. 2: Example network with TTP/A smart transducers

The STD and CCD descriptions for the TTP/A protocol are very generic and need more memory. For example the size of uncompressed static STDs for the smart transducers used in the smart car case study is between 5 and 15 Kbytes. The uncompressed CCD for this case study had a size of 124 Kbytes [24]. However, this information is stored at personal computers, while the smart transducer nodes contain only a unique identification number and some configuration parameters that are necessary for operation. The unique identification number serves as reference to the according information that is stored as STDs and CCD outside the cluster. This approach comes with two advantages:

- First, the overhead at the node is very low. Current low-cost microcontrollers provide RAM or EEPROM memory of around 128 bytes. This will not suffice to store more than the most basic parts of data-sheets according to the IEEE 1451.2 standard without extra hardware. With TTP/A, only the ROM memory for storing the identification number is necessary.
- Second, instead of implicitly representing the node-information with many predefined data structures mapped to a compact format, we have an explicit representation of the information in a well-structured and easy to understand way. Since the system hosting the configuration tool usually provides memory for several megabytes of data, the specification of transducer types and services using generic XML constructs is no major limiting factor for the framework. The generic format also improves the openness of the system for future extensions of transducer or service types.

5 Summary and Conclusion

This paper presented basic principles of smart transducers and shortly examined multiple solutions for communication in transducer networks. Furthermore, we compared two different standardized smart transducer interfaces, the IEEE 1451.2 standard for smart transducer interfaces and the OMG STI standard. The standards were examined with respect to design decisions for dealing with configuration and handling configuration information.

The OMG STI standard supports the configuration of time-triggered communication schedules, which makes it suitable for connecting smart transducers to hard real-time systems. The OMG STI standard consists of the TTP/A fieldbus network and a fieldbus to CORBA interface specification. For TTP/A there exists a framework that introduces smart transducer and cluster configuration descriptions that enable a computer supported configuration.

IEEE 1451 does not specify an according fieldbus protocol. The transducer electronic data sheets of IEEE 1451 are more compact than the smart transducer descriptions of TTP/A, however since IEEE 1451 favors the introduction of self-contained nodes that keep the configuration data physically associated to the nodes, memory requirements for IEEE 1451 will be higher at the smart transducer. In general it depends on the area of application which approach suits best.

6 Acknowledgments

We would like to give special thanks to our colleagues Thomas Losert, Roman Obermaisser, and Martin Schlager who made fruitful comments on an earlier version of this paper. This work was supported in part by the Hochschuljubiläumsstiftung der Stadt Wien via project CoMa (H-965/2002) and by the European IST project DSoS under contract No IST-1999-11585.

7 References

- [1] W. H. Ko and C. D. Fung. VLSI and intelligent transducers. *Sensors and Actuators*, (2):239–250, 1982.
- [2] H. Kopetz, M. Holzmann, and W. Elmenreich. A universal smart transducer interface: TTP/A. *International Journal of Computer System Science & Engineering*, 16(2):71–77, March 2001.
- [3] S. Poledna, H. Angelow, M. Glück, M. Pisecky, I. Smaili, G. Stöger, C. Tanzer, and G. Kroiss. TTP two level design approach: Tool support for composable fault-tolerant real-time systems. *SAE World Congress 2000, Detroit, Michigan, USA*, March 2000.
- [4] H. Kopetz. Software engineering for real-time: A roadmap. In *Proceedings of the IEEE Software Engineering Conference*, Limerick, Ireland, 2000.
- [5] M. Felser and T. Sauter. The fieldbus war: History or short break between battles? In *Proceedings of the 4rd IEEE International Workshop on Factory Communication Systems*, pages 73–79, Västerås, Sweden, August 2002.
- [6] International Standardization Organization (ISO). *ISO/IEC 7498-1:1994 - Information technology – Open Systems Interconnection – Basic Reference Model: The Basic Model*, 1994. available at <http://www.iso.ch>.

- [7] D. Loy, D. Dietrich, and H.-J. Schweinzer, editors. *Open Control Networks*. Kluwer Academic Publishing, October 2001.
- [8] J. J. Pinto. A neutral instrumentation vendor's perspective. *ISA Proceedings '94 and Intech July '95*, July 1995.
- [9] DKE Deutsche Kommission Elektrotechnik Elektronik Informationstechnik im DIN und VDE. *Information about the International Fieldbus Standards Series IEC 61158 and 61784*, February 2002. Available at <http://www.dke.de>.
- [10] I. Näther. Profibus dominiert noch immer klar. *Markt&Technik - Die Wochenzeitung für Elektronik und Informatik*, 22, May 2002.
- [11] P. Conway, D. Heffernan, B. O'Mara, D. P. Burton, and T. Miao. IEEE 1451.2: An interpretation and example interpretation. In *Proceedings of the Instrumentation and Measurement Technology Conference*, pages 535–540, Baltimore, MD, USA, May 2000.
- [12] L. H. Eccles. A brief description of IEEE P1451.2. *Sensors Expo*, May 1998.
- [13] Object Management Group (OMG). *Smart Transducers Interface Request for Proposal*, December 2000. Available at <http://www.omg.org> as document orbos/2000-12-13.
- [14] Object Management Group (OMG). *Smart Transducers Interface Final Adopted Specification*, August 2002. Available at <http://www.omg.org> as document ptc/2002-10-02.
- [15] Fieldbus technical overview - understanding FOUNDATION fieldbus technology, 2001. Available at <http://www.fieldbus.org>.
- [16] Electronic Industry Alliance (EIA). *Control Network Specification. EIA Standard 709.1*, March 1998.
- [17] Audi AG, BMW AG, DaimlerChrysler AG, Motorola Inc. Volcano Communication Technologies AB, Volkswagen AG, and Volvo Car Corporation. LIN specification and LIN press announcement. SAE World Congress Detroit, <http://www.lin-subbus.org>, 1999.
- [18] L.-B. Fredriksson. A CAN Kingdom - Revision 3.01. available at <http://www.cankingdom.org>, 1995.
- [19] Bosch. OSEK/VXD operating system - version 2.1 revision 1. available at <http://www-iiit.etec.uni-karlsruhe.de/~osek/>, Dec. 2000.
- [20] Institute of Electrical and Electronics Engineers, Inc. *IEEE Std 1451.2-1997, Standard for a Smart Transducer Interface for Sensors and Actuators - Transducer to Micro-processor Communication Protocols and Transducer Electronic Data Sheet (TEDS) Formats*, September 1997.
- [21] J. Warrior. IEEE P1451 network capable application processor information model. *Proceedings Sensors Expo Anaheim*, pages 15–21, April 1996.
- [22] S.Chen and K.Lee. A mixed-mode smart transducer interface for sensors and actuators. *Sound & Vibration*, April 1998.
- [23] J. Warrior. Open systems: Reality or illusion? *Sensors Magazine*, September 1998.
- [24] S. Pitzek and W. Elmenreich. Configuration and management of a real-time smart transducer network. Research Report 6/2003, Technische Universität Wien, Institut für Technische Informatik, Vienna, Austria, 2003.
- [25] World Wide Web Consortium (W3C). *XML Schema Part 0: Primer*, May 2001. Available at <http://www.w3.org>.
- [26] S. Pitzek. Description mechanisms supporting the configuration and management of TTP/A fieldbus systems. Master's thesis, Technische Universität Wien, Institut für Technische Informatik, Vienna, Austria, 2002.